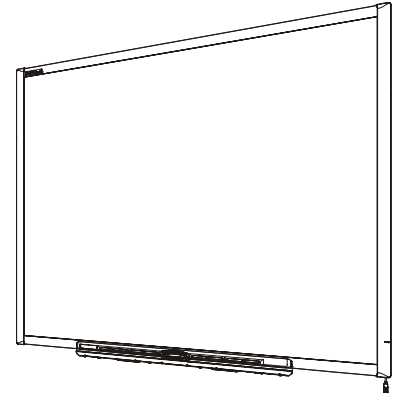


SMART Board™ Interactive Whiteboard

Specifications – Model 660

Physical Specifications

Size of Interactive Whiteboard	54 3/4" W x 41 5/8" H x 5 1/8" D (139.2 cm x 105.8 cm x 13.0 cm)
Active Screen Area	51 1/4" W x 38 1/4" H (130.2 cm x 97.2 cm) 64" diagonal (162.6 cm)
FS670 Floor Stand (with SB660 Installed)	54 3/4" W x 64" to 78" H x 40 3/8" D (139.1 cm x 162.5 cm to 198.1 cm x 102.5 cm)
Weight	21 lb. 14 oz. (9.9 kg)
Shipping Size	48" W x 64 1/2" H x 5 1/2" D (120.7 cm x 162.6 cm x 14.0 cm)
Shipping Size	
1 unit	46" W x 64 1/2" H x 5 1/2" D (116.8 cm x 163.8 cm x 14.0 cm)
8 units on pallet	47" W x 69 1/2" H x 45" D (119.4 cm x 176.5 cm x 114.3 cm)
Shipping Weight	
1 unit	35 lb. (15.9 kg)
8 units on pallet	280 lb. (127.3 kg)



All dimensions +/- 1/8" (3.2 mm). All weights +/- 2 lb. (0.9 kg).

Standard Features

Software	SMART Board™ software, including Notebook™ software. Upgrades are available at www.smarttech.com/support/software/index.asp .
Pen Tray	Optical sensors in the pen tray detect when a pen or eraser is lifted from the tray. LEDs show the active tool.
Pens and Eraser	Black, blue, red and green pen tray pens and a rectangular eraser
Resolution	Touch resolution is approximately 4000 x 4000.
Screen Surface	The hard-coated polyester surface is tear proof, optimized for projection, compatible with dry-erase markers and is easily cleaned with whiteboard cleaner.
Digitizing Technology	Analog resistive
Frame Finish	Two-tone gray (approximates Pantone® Charcoal Gray 18-0601 TPX) and Ultrasonic Chrome (approximates metallic Pantone 877 C)
Wall-Mount Bracket	32" (81.3 cm) wide with five screws and drywall anchors to support a wall-mounted interactive whiteboard
Computer Connection	16' (5 m) USB 2.0 cable
Power Requirements	Power is obtained from the computer directly through the USB cable for Windows®, Mac and Linux® computers. Power consumption is less than 1.5 W (300mA at 5V).
Certifications and Compliance	CSA (Canada/U.S.), CE, CB (TUV), RoHS (China), RoHS (Europe), WEEE
Warranty	Five-year limited equipment warranty upon registration. See warranty document for details.

NOTE: A digital projector is not included with this model of SMART Board interactive whiteboard. To take advantage of all interactive features, you must integrate a digital projector.

SMART Board Software 9.7 Computer Requirements

Windows Computers	Pentium® II 450 MHz processor 128 MB of RAM (256 MB recommended) 150 MB of free hard disk space for minimum installation (840 MB for full installation with Gallery collections) Windows 2000, Windows XP or Windows Vista™ operating system Internet Explorer® internet browser 6.0 or later Adobe® Flash™ player version 8
Requirements for SMART Video Player	Pentium II 450 MHz processor (700 MHz or faster recommended) Windows 2000 operating system or later Microsoft® DirectX® technology 8.1 or later
Mac Computers	700 MHz processor (1 GHz or faster recommended) 128 MB of RAM (256 MB recommended) 75 MB of free hard disk space for minimum installation (930 MB for full installation with Gallery collections) Mac OS X version 10.4.x operating system software Safari application program version 1.3.2 or later SMART Board software version 9.7 supports both PowerPC® and Intel® processors (universal binary)
Linux Computers	Pentium II 450 MHz processor 128 MB of RAM (256 MB recommended) 225 MB of free hard disk space for minimum installation (800 MB for full installation with Gallery collections) Linux kernel version 2.6 or later X Window System™ version 11 release 6 (X11R6) or later (must support XRender, Xinerama™, XFixes, Xau and Xdmcp) glibc 2.3.3 (gcc 3.4.2) libstdc++6 GNOME™ 2.8.0+ or KDE® 3.3+ libraries (recommended) SUSE™ 10, Red Hat® Enterprise Linux 4 WS, Debian® 3.1 (Sarge), Ubuntu® 6.06 LTS or Fedora™ Core 3+

Storage and Operating Specifications

Storage	-40°F to 120°F (-40°C to 50°C)
Operation	41°F to 95°F (5°C to 35°C) with up to 80% humidity non-condensing

SMART Order Number

SB660	64" (162.6 cm) diagonal SMART Board interactive whiteboard
--------------	--

Optional Accessories

Part Number	Description	NA	UK	EU	AU
CCJ660	Padded cover with handles for the SMART Board 660 interactive whiteboard				
HSCJ-660	Hard shipping case for the SMART Board 660 interactive whiteboard and the FS670 floor stand				
FS670	Mobile floor stand with 4" (10.2 cm) lockable casters and flip-up anti-tip feet				
WMCM-660	Wall-mounted cabinet for the SMART Board 660 interactive whiteboard				
PMWT-660	Projector wall mount for an NEC WT600 or WT610 projector				
RS232-XX*	RS-232 to USB conversion module that allows a serial connection to the interactive whiteboard as an alternative to USB	✓	✓		
WC6-XX*	Wireless Bluetooth® connection between the SMART Board interactive whiteboard and the computer	✓	✓		
SBA-XX*	USB audio system with two 15 W speakers that mount to the interactive whiteboard or wall	✓	✓		✓
SYSON6-XX*	SystemOn expansion module wakes up the computer and turns on the projector with one button press	✓	✓		
USB-GW	GoWire™ SMART Board software auto-launch USB cable				
USB-XT	16' (5 m) USB active extension cable				
CAT5-XT	USB to Cat 5 cable extender set				
RPEN-ER	Replacement set of four pen tray pens (black, red, blue and green) and rectangular eraser				
RPEN	Replacement set of four pen tray pens (black, red, blue and green)				

* Part numbers ending in XX have power supplies for those countries or regions, as indicated by ✓ in the columns to the right. When ordering, substitute the XX in the part number with the country code as follows:

- NA = Canada and U.S.
- UK = United Kingdom
- EU = European Union
- AU = Australia

SMART Technologies Inc.
 1207 – 11 Avenue SW, Suite 300
 Calgary, AB T3C 0M5
 CANADA

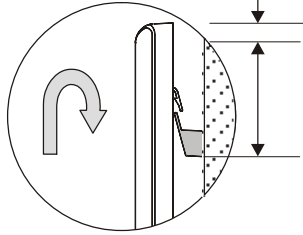


www.smarttech.com/support www.smarttech.com/contactsupport
 Support +1.403.228.5940 or Toll Free 1.866.518.6791 (Canada/U.S.)

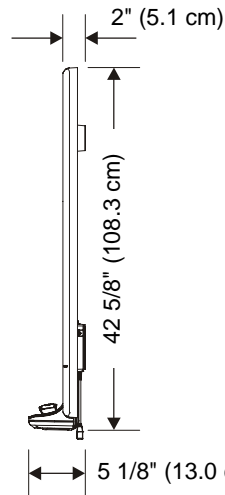
SMART Board™ Interactive Whiteboard

Specifications – Model 660

Leave at least 5/8" (1.6 cm) headroom to wall mount the SB660

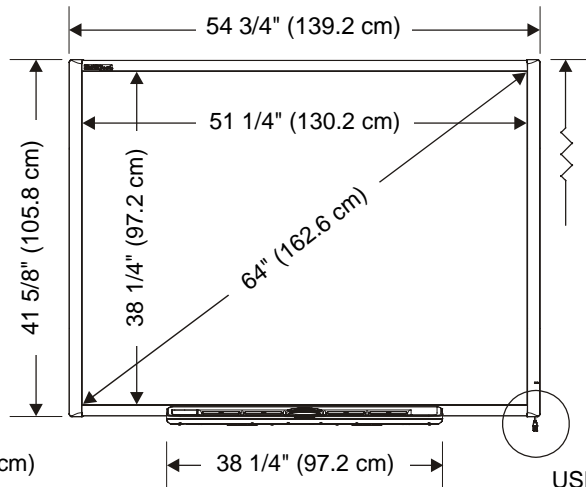


Distance from the bottom of the wall mount bracket to the top of an installed interactive whiteboard is 4 1/4" (10.8 cm)



**Wall Mounted
Cut Away View**

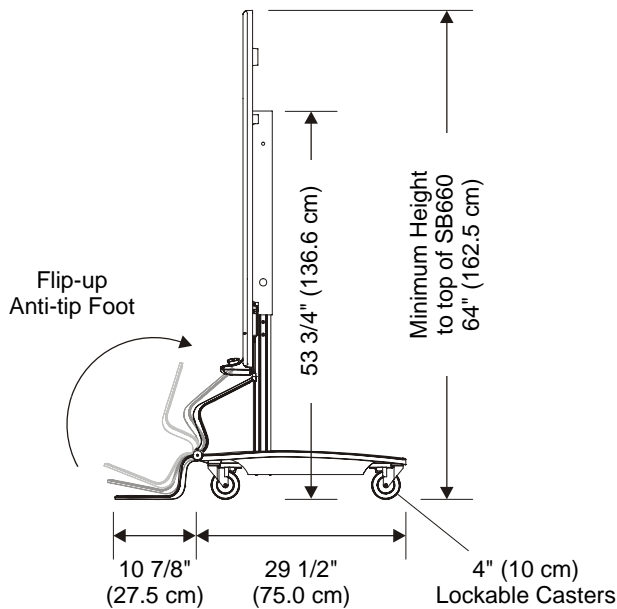
**Wall Mounted
Side View**



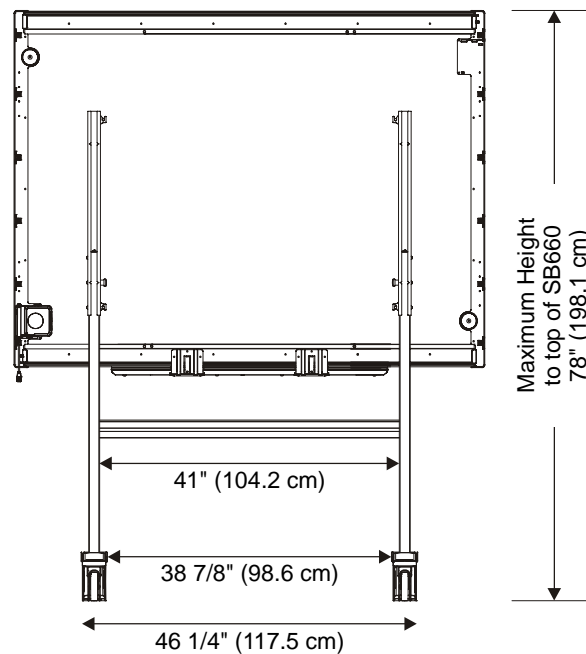
Recommended wall-mounted installation height to top of SB660 for average sized adults is 73 3/4" (187.3 cm)

USB Connection Location

**Wall Mounted
Front View**



**Floor Stand Mounted
Side View
(lowest position)**



**Floor Stand Mounted
Back View
(highest position)**

All dimensions +/- 1/8" (0.3 cm)

