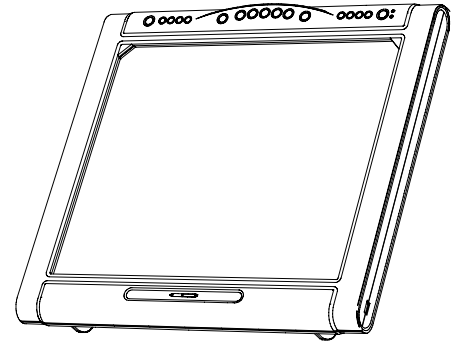


Symposium™ Interactive Pen Display

Specifications – Model DT770

Physical Specifications

Size	19" W x 18" H x 3 5/8" D (48.3 cm x 45.7 cm x 9.2 cm)
Display Area	13 1/4" W x 10 5/8" H (33.7 cm x 27.0 cm) 17" (43.2 cm) diagonal
Weight	19 lb. 8 oz. (8.9 kg)
Shipping Size	27 1/2" W x 26 1/2" H x 11" D (69.9 cm x 67.3 cm x 27.9 cm)
Shipping Weight (Carton and Contents)	34 lb. (15.4 kg)



All dimensions +/- 1/8" (0.3 cm). All weights +/- 2 lb. (0.9 kg).

Console Features

Software	SMART Board™ software and Notebook™ software. Free software upgrades are available at www.smarttech.com/support/software/index.asp .
Technology	Dual touch DVIT™ (Digital Vision Touch) technology
Pen	Battery-free, tethered pen with LED status indicator. Convenient magnetized storage location for easy access.
Pen Tool Buttons	Lighted buttons for controlling the pen behavior: Left Mouse, Right Mouse, Digital Ink (Black, Blue, Red and Green) and Eraser
Function Buttons	Programmable buttons for accessing tools and applications: Floating Tools, Notebook Software, Screen Capture and Keyboard
Room Control Button	Button for launching room control interface menu
Input/Output Interface	Video IN HD15 (F) Video OUT HD15 (F) - internal distribution amplifier supports cable length up to 100' (30 m) Pen Tether 3.5 mm stereo jack USB USB (B) (x1) integrated USB 2.0 hub to connect the DT770 to your computer USB USB (A) (x3) integrated USB 2.0 hub to connect a mouse, keyboard or memory storage device Serial DB9 (F) VDC IN 4 pin mini-DIN
	NOTE: You can connect the interactive pen display to your computer using either a USB or serial connection.
Power Supply	Input: 100V–240V AC 50/60 Hz. Output: 12V DC, 5A, 60W maximum
Power Management	VESA DPMS
Power Consumption	Normal operation: <60W (Power LED green). Suspend/Standby mode: <25W (Power LED orange). Off: <5W (Power LED off).
Mechanical Mounting	Standard VESA 100 mm rear mounting plate
Stand	Choose between two operating angles, 30° or 45° from horizontal
Security	Kensington® security slot
Certifications	FCC, CE
Warranty	Two-year limited warranty. See warranty document for details.

LCD Features

Display Screen	a-Si TFT active-matrix LCD
Interactive Screen Type	DViT with Active Pen or Finger Touch (Dual Touch)
Communication Interface	USB 2.0 (high speed)
Resolution	1280 × 1024 pixels
Synchronization Range	Horizontal: 30 kHz–56.5 kHz Vertical: 50 Hz–70 Hz NOTE: Some Macintosh computers transmit video signals outside the 50 Hz–70 Hz synchronization range. These models cannot be used with the Sympodium interactive pen display.
Viewing Angle	Horizontal 70° Vertical 60°
Color Depth	16.2 million Color Emulation via FRC
Contrast Ratio	300:1 minimum, normal to screen, center position
Brightness	Luminance of 200 cd/m ² (typical)
Input Video Signal	Analog 0.7 Vp-p positive at 75 ohm
Auto Adjustment	Less than 2 seconds
Display Response Time	8 milliseconds, typical
On-Screen Display Control	Brightness, Contrast Horizontal Position, Vertical Position, Clock, Phase, OSD off time, Language, Sharpness, Reset, Color Setting, Color Adjustment for Red, Green and Blue

Storage and Operating Specifications

Storage	-4°F to 140°F (-20°C to 60°C) with 20% to 80% humidity, non-condensing
Operation	41°F to 95°F (5°C to 35°C) with 20% to 80% humidity, non-condensing

SMART Board Software 9.5 Computer Requirements

Windows® Computers	Pentium® II 450 MHz processor 128 MB of RAM (256 MB recommended) 136 MB of free hard disk space for minimum installation (511 MB for full installation with Gallery collections) Windows NT® 4.0 (SP6), Windows 98 operating system or later Microsoft® Internet Explorer® 6.0 or later Macromedia® Flash® player version 8 NOTE: The AirLiner™ wireless slate requires the Windows 2000 or Windows XP operating system.
Requirements for SMART Video Player	Pentium II 450 MHz processor (700 MHz or faster recommended) Windows 98 operating system or later. Does not run on the Windows NT operating system. Microsoft DirectX® technology 8.1 or later
Mac Computers	700 MHz processor (1 GHz or faster recommended) 128 MB of RAM (256 MB recommended) Mac OS X versions 10.3.9 and 10.4.x 148 MB of free hard disk space for minimum installation (423 MB for full installation with Gallery collections) Safari™ 1.3.2 or later SMART Board software version 9.5 supports Intel® processors (Universal Binary)

Specifications – Model DT770

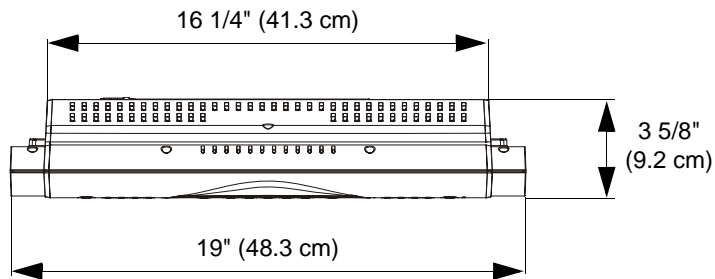
NOTE: Previous versions of SMART Board software are compatible with earlier versions of the Mac OS X operating system. To download a previous version of SMART Board software, go to www.smarttech.com/support/software/sb_mac_other.asp.

Linux® Computers

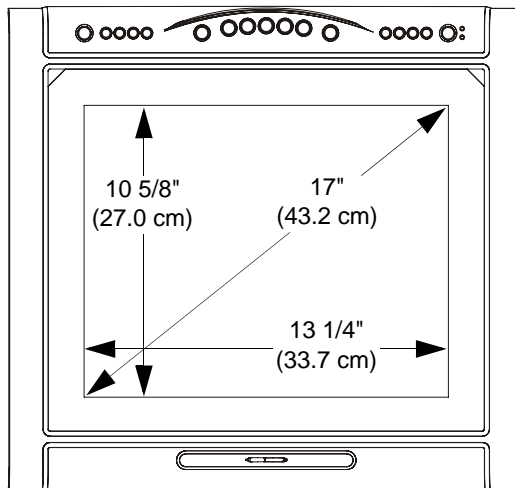
Pentium II 450 MHz processor
128 MB of RAM (256 MB recommended)
185 MB of free hard disk space for minimum installation (460 MB for full installation with Gallery collections)
Linux kernel version 2.6.12 or later
X Windows version 11 release 6 (X11R6) or later (must support XRENDER and Xinerama)
glibc 2.3.3 (gcc 3.4.2)
libstdc++6
Gnome 2.8.0+ or KDE® 3.3+ libraries (recommended)
SUSE® 10, Red Hat® Enterprise Linux 4 WS, Fedora™ Core 3, Debian™ 3.1 (Sarge) or Ubuntu 6.06 LTS

Dimensions

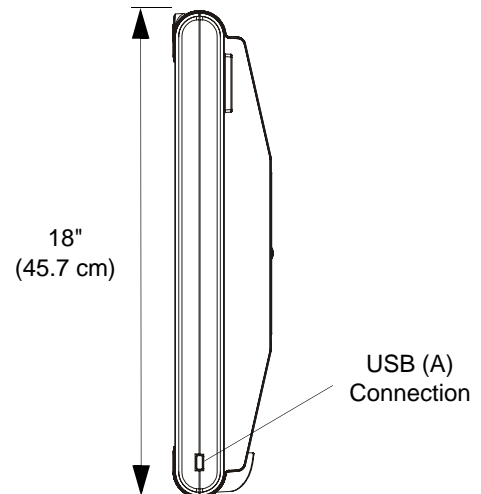
Top View



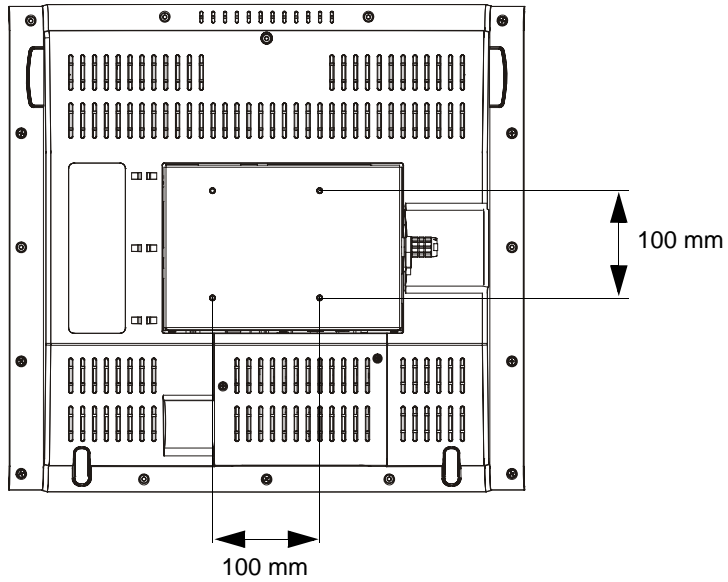
Front View



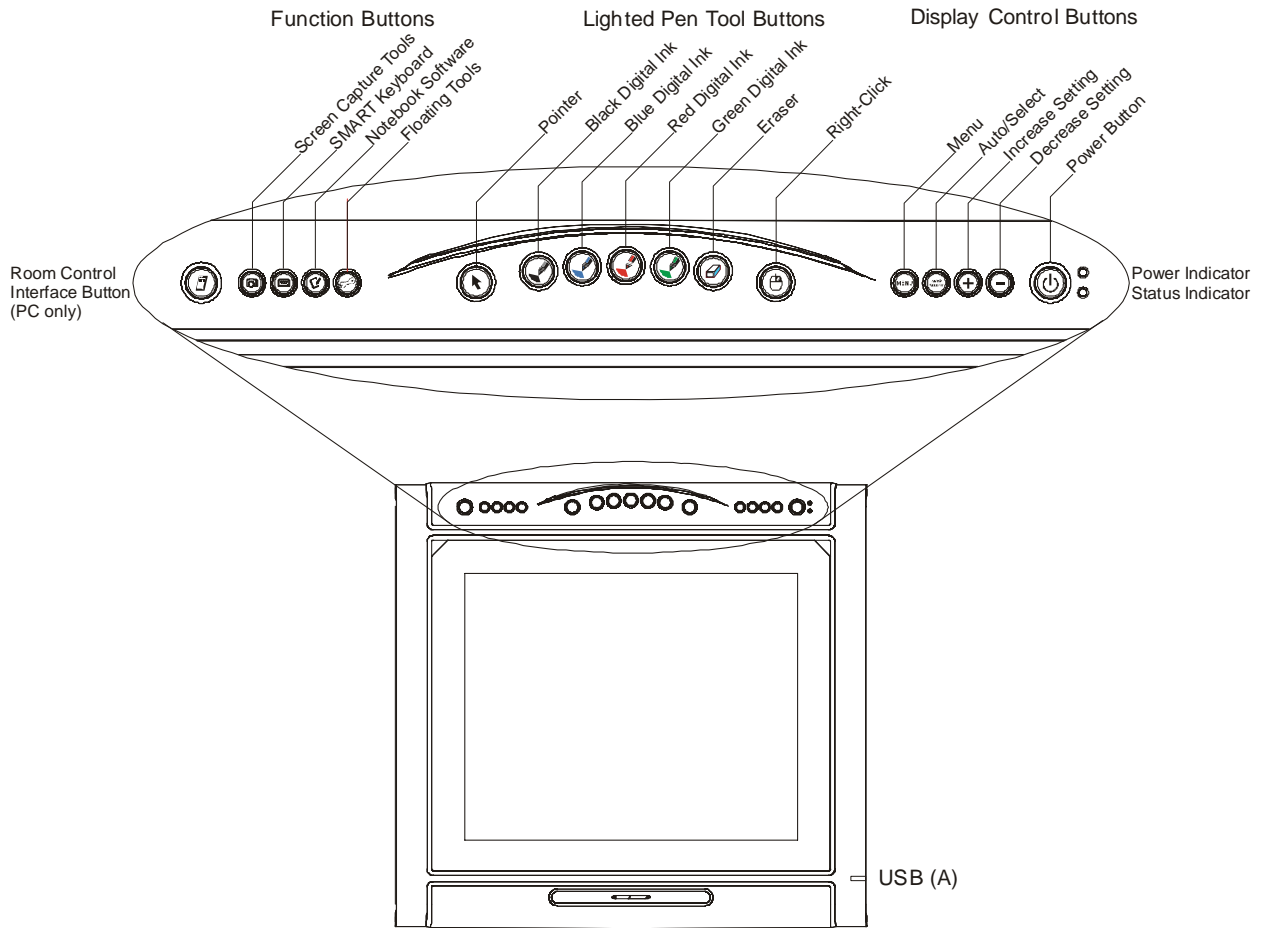
Side View



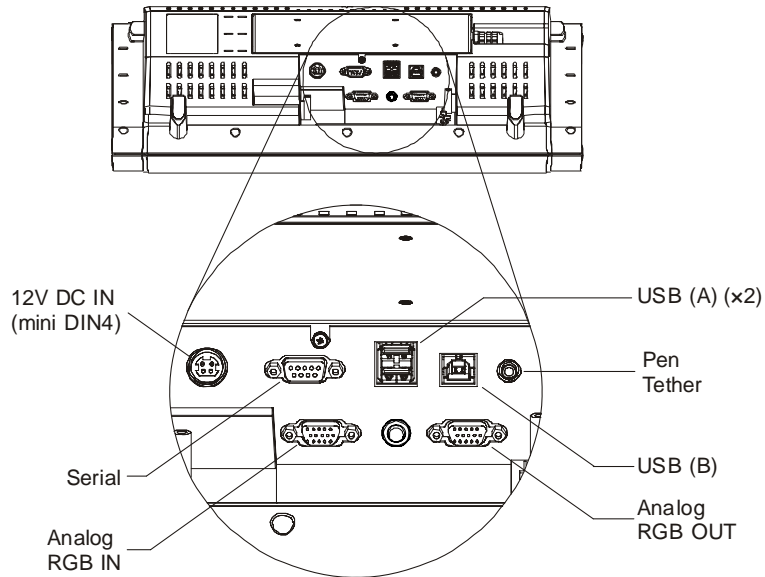
Specifications – Model DT770



Back View



Specifications – Model DT770



Optional Accessories

USB-GW GoWire™ SMART Board software auto-launch USB cable

SMART Order Number

SSDT770 Sympodium DT770 interactive pen display

SMART Technologies Inc.

1207 – 11 Avenue SW, Suite 300

Calgary, AB T3C 0M5

CANADA

Phone +1.403.245.0333

Toll Free 1.888.42.SMART (Canada/U.S.)

info@smarttech.com www.smarttech.com

SMART
Technologies

© 2005–2006 SMART Technologies Inc. All rights reserved. Sympodium, SMART Board, Notebook, DVIT, AirLiner and the SMART logo are either registered trademarks or trademarks of SMART Technologies Inc. Microsoft, Windows and Windows NT are either registered trademarks or trademarks of Microsoft Corporation in the U.S. and/or other countries. Linux is the registered trademark of Linus Torvalds in the U.S. and other countries. All other third-party product and company names may be trademarks of their respective owners. U.S. Patent Nos. 5,448,263; 6,141,000; 6,326,954; 6,337,681; 6,741,267; 6,747,636; 6,803,906; 6,919,880; 6,947,032; 6,954,197 and 6,972,401. Canadian Patent No. 2,058,219. Other U.S., Canadian and foreign patents pending. Specifications are subject to change without notice. 12/2006.